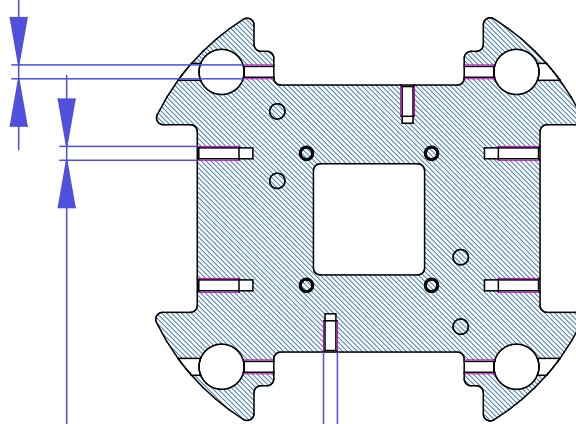
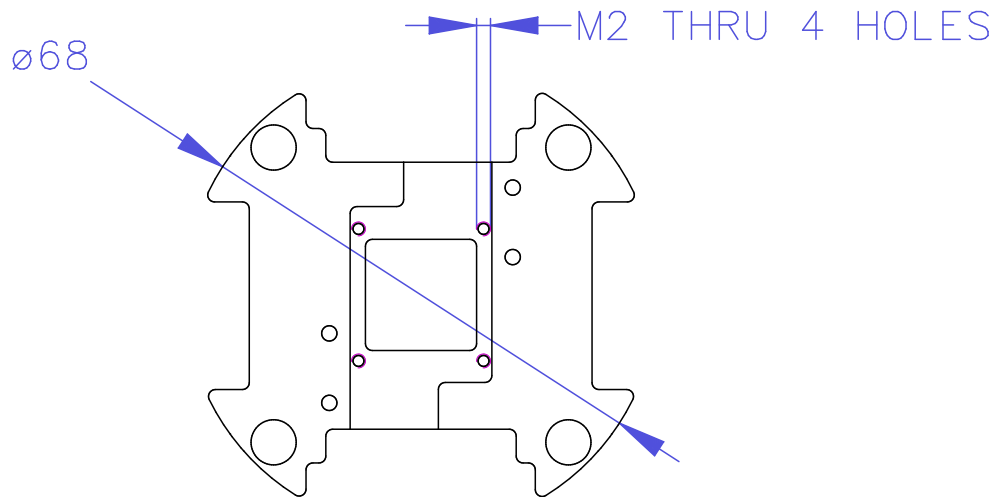
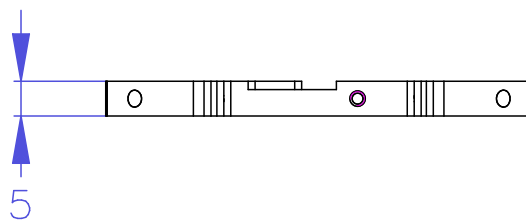


M2 THRU 4 HOLES



M2 4.5MM DEEP 2 HOLES

M2 6MM DEEP 4 HOLES



Revision	Part #	Description	
	0353-19-732	PCB rail mount, back, top	
Material		Serial No.	
Finish		Assembly No.	
Weight(g)	23.7	Date	Scale
Surface		Notes	
Copyright (c) 2012 Elphel, Inc. Licensed under CERN OHL v.1.1 or later - see http://ohwr.org/cernohl Permission is also granted to copy, distribute and/or modify this document under the terms of the GNU Free Documentation License, Version 1.3 or any later version published by the Free Software Foundation; with no Invariant Sections, no Front-Cover Texts, and no Back-Cover Texts. A copy of the license is included in the section entitled "GNU Free Documentation License".			