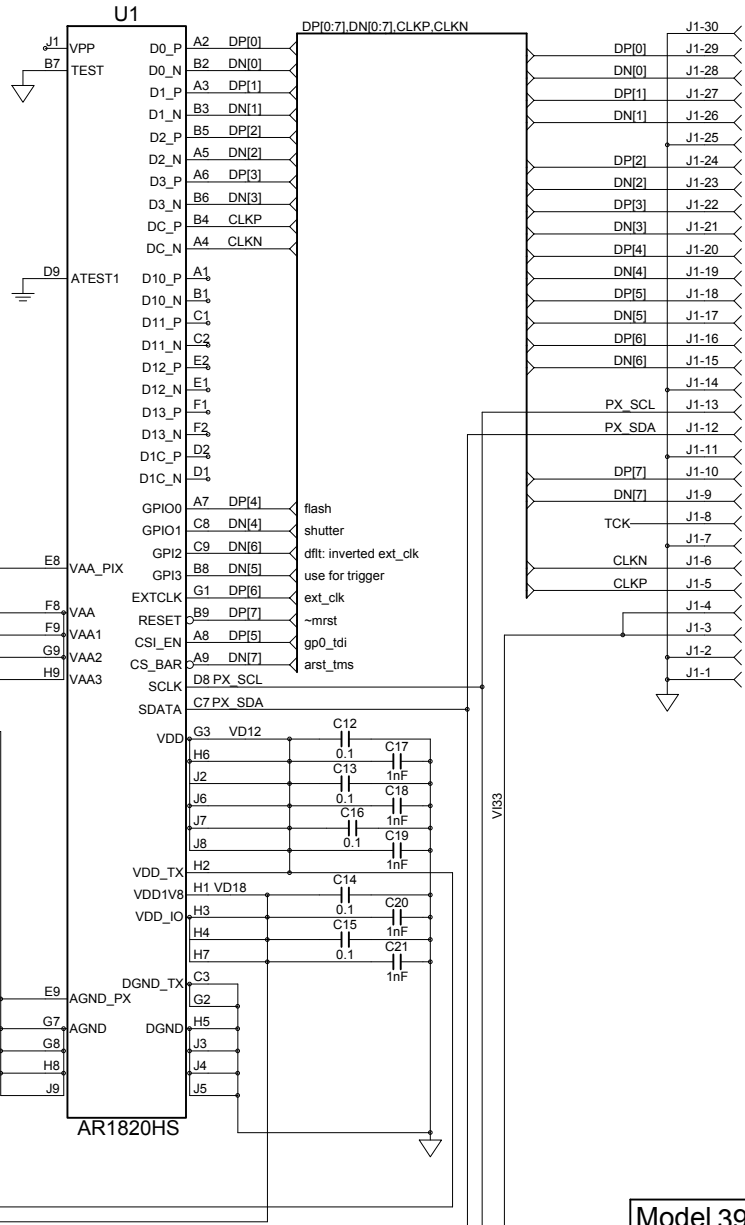
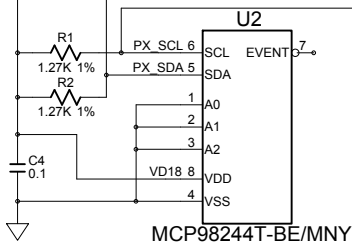
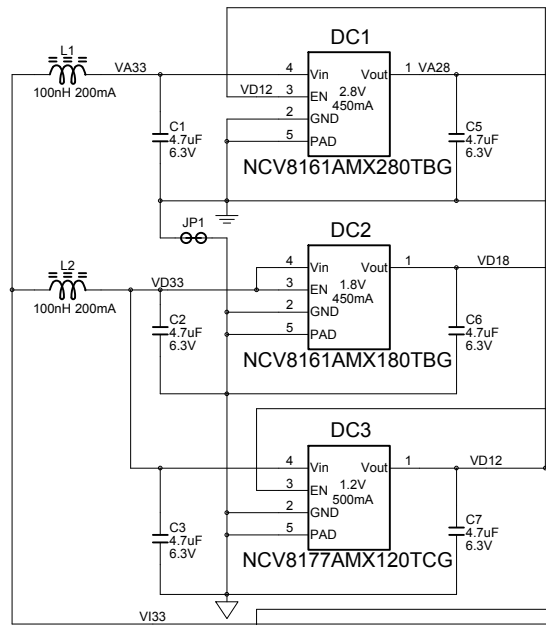


Copyright (c) 2018 Elphel, Inc.  
 Permission is granted to copy, distribute and/or modify this document under the terms of the GNU Free Documentation License, Version 1.3 or any later version published by the Free Software Foundation; with no Invariant Sections, no Front-Cover Texts, and no Back-Cover Texts. A copy of the license is included in the section entitled "GNU Free Documentation License".



<b>Model 393</b>		<b>Elphel, Inc</b> http://www.elphel.com		1 OF 1
<b>Sensor AR1820HS Brd</b>		DESIGNED: <b>Andrey Filippov</b>		
NEXT ASSY	QTY 1	1D203981	DRAWN: <b>Andrey Filippov</b>	
USED	REV 0	ECN #	DATE: <b>2018/02/07</b>	
FILE 103981	103981	REV DATE	PRINTED: 2/17/2018 AT 1:10:38 PM	

SUB-ASSEMBLY															
USAGE	#		NO.					RELEASE DATE	02/12/18	P/L	REV.	REV.	Units to	Total	Cost per
393	1		TITLE	Model 393 Sensor AR1820HS Brd PCB Assembly 103981				JOB#	N/A	2/7/2018	0		1	\$65.55	\$65.55
# TO	MFGR	1				WORK ORDER #	N/A								
NEXT	ASSY	4A-?????				NON STANDARD NOTATIONS									
DESIGNATOR	ITEM	QTY	EXT	STK	ROHS	DESCRIPTION	PART #	MANUFAC	VENDOR	VENDOR	PURCH	UNIT	TOTAL	NEW	
NUMBER	#	REQ	QTY	CHK			#	TURER	VENDOR	PART #	QTY	PRICE	TOTAL	STOCK	
<b>Related Documents</b>															
	0.5	1	1			Schematic 103981 (103981), Model 393	1D203981 Rev.0	Designed by Andrey Filippov							
	20	1	1			Fabrication (103981), Model 393	4F203981 Rev.0								
	21	1	1			Artwork (103981), Model 393	4G203981 Rev.0								
<b>Integrated Circuits</b>															
U2	40	1	1		Y	I2C 2Kb EEPROM with Temperature Sensor, 1.8V, TDFN-8	MCP98244T-BE/MNY	Microchip	Digi-Key	MCP98244T-BE/MNYCT-ND	25	0	0	24	
U1	41	1	1			18 Megapixel 1/2.3" CMOS BSI Image Sensor, 8-lane HiSPI / 4-lane MIPI, 2.8V, iBGA-60	AR1820HS	Aptina	Edge Electronics		1	55	55	0	
<b>Power Supply Modules</b>															
DC3	42	1	1		Y	500mA CMOS Voltage Regulator, 1.2V, 500mA, XDFN-4EP, marked as VC	NCV8177AMX120 TCG	ON Semiconductor	Digi-Key	NCV8177AMX120TCGOSCT-ND	1	0.39	0.39	0	
DC2	43	1	1		Y	450mA CMOS Voltage Regulator, 1.8V, 450mA, XDFN-4EP, marked as DN	NCV8161AMX180 TBG	ON Semiconductor	Digi-Key	NCV8161AMX180TBGOSCT-ND	1	0.5	0.5	0	
DC1	44	1	1		Y	450mA CMOS Voltage Regulator, 2.8V, 450mA, XDFN-4EP, marked as DN	NCV8161AMX280 TBG	ON Semiconductor	Digi-Key	NCV8161AMX280TBGOSCT-ND	1	0.5	0.5	0	
<b>Resistors</b>															
R1-R2	45	2	2		Y	Resistor, 1.27KΩ, ±1%, SMD 0201, marked as 1271	ERJ-1GEF1271C	Panasonic	Digi-Key	P1.27KABCT-ND	10	0.11	1.1	8	
<b>Capacitors</b>															
C4, C8-C9, C12-C16	46	8	8		Y	Capacitor, Ceramic Chip, 0.1µF, 6.3V, C-0201D	ECJ-ZEB0J104M	Panasonic	Digi-Key	PCC2336CT-ND	10	0.13	1.3	2	
C1-C3, C5-C7	47	6	6		Y	Capacitor, Ceramic Chip, 20%, 4.7µF, 6.3V, C-0402	ECJ-0EB0J475M	Panasonic	Digi-Key	PCC2475CT-ND	10	0.29	2.9	4	

DESIGNATOR	ITEM	QTY	EXT	STK	ROHS		PART	MANUFAC		VENDOR	PURCH	UNIT		NEW
NUMBER	#	REQ	QTY	CHK		DESCRIPTION	#	TURER	VENDOR	PART #	QTY	PRICE	TOTAL	STOCK
-----	---	---	----	---	----	-----	-----	-----	-----	-----	-----	----	----	----
C10-C11, C17-C21	48	7	7		Y	Capacitor, Ceramic Chip, <b>1nF, 25V, C-0201</b>	<a href="#">ECJ-ZEB1E102K</a>	Panasonic	Digi-Key	PCC2130CT-ND	10	0.075	0.75	3
						<b>Inductors and LC filters</b>								
L1-L2	49	2	2		Y	SMD Inductor, DCR=1.5 Ohm, <b>100nHn, 200mA</b> , SMD 0402	<a href="#">HK1005R10J-T</a>	Taiyo Yuden	Digi-Key	587-1531-1-ND	2	0	0	0
						<b>Connectors</b>								
J1	50	1	1		Y	0.5 mm-Pitch Vertical Slide-Lock FPC Connector, 30 pos., FH1230S05SV	<a href="#">FH12-30S-0.5SV-55</a>	Hirose	Digi-Key	HFL130CT-ND	1	3.11	3.11	0