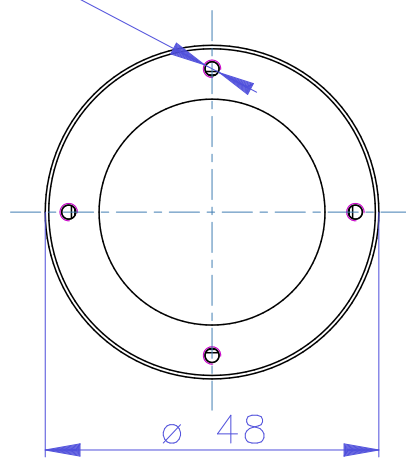
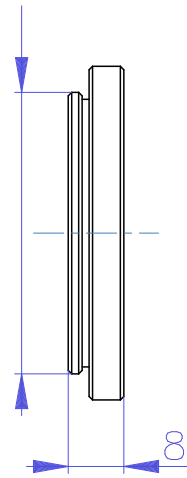


M2.5x0.45 THRU 4 HOLES



M40.5x0.5



Part #	<b>0353-40-10</b>		Description	
			Filter insertion tool, M40.5x0.5	
Material	Aluminum 6061		Serial No.	
Finish			Assembly No.	
Weight			Date	
Surface			Notes	
Copyright (c) 2010 Elphel, Inc. Permission is granted to copy, distribute and/or modify this document under the terms of the GNU Free Documentation License, Version 1.3 or any later version published by the Free Software Foundation; with no Invariant Sections, no Front-Cover Texts, and no Back-Cover Texts. A copy of the license is included in the section entitled "GNU Free Documentation License".				