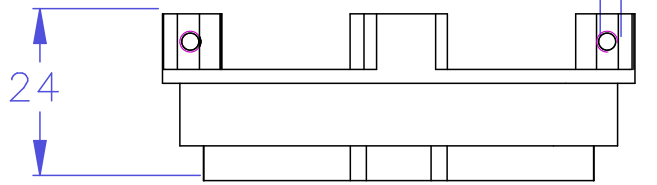
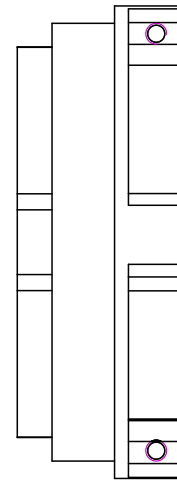
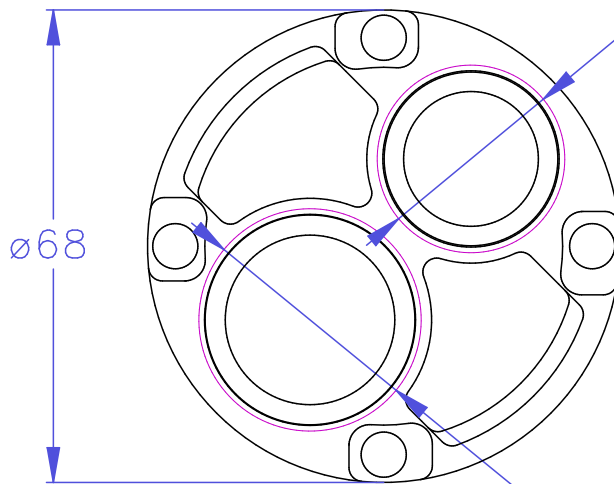


M3x0.5 THRU x4 HOLES



M27x1.5 6MM DEEP



M32x1.5 6MM DEEP

Revision	Part #	Description		
A	0353-19-81	Tube body bottom		
Material	Aluminum 6061	Serial No.		
Finish	Chromate Conversion	Assembly No.		
Weight(g)	52.5	Date	10/13/2011	Scale 1:1
Surface		Notes		
Copyright (c) 2011 Elphel, Inc. Licensed under CERN OHL v.1.1 or later - see http://ohwr.org/cernohl Permission is also granted to copy, distribute and/or modify this document under the terms of the GNU Free Documentation License, Version 1.3 or any later version published by the Free Software Foundation; with no Invariant Sections, no Front-Cover Texts, and no Back-Cover Texts. A copy of the license is included in the section entitled "GNU Free Documentation License".				