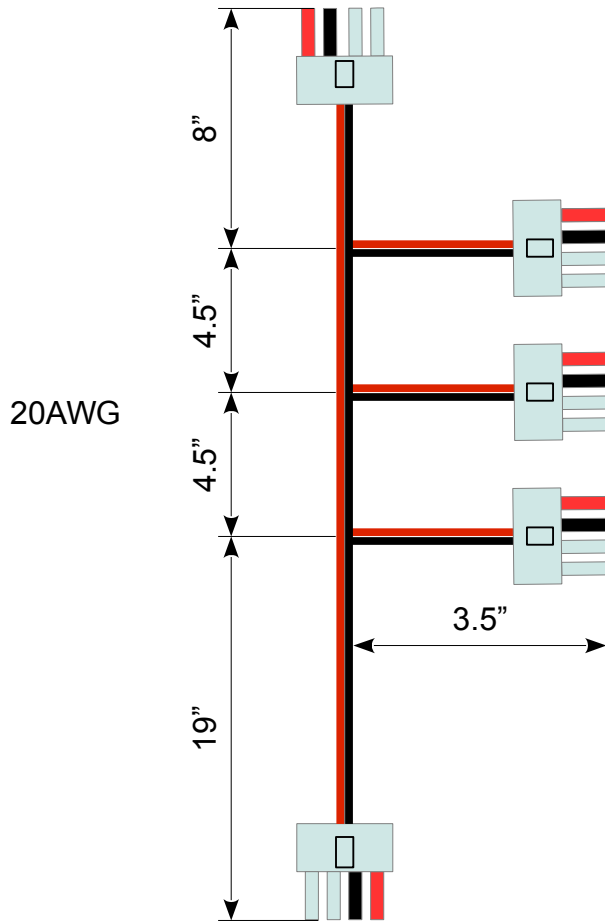


2x

0353-01-553 - Eysis4Pi 10369 power cable 1-to-4 (for head cameras)



Parts list:

Quantity per 1	Description	DigiKey P/N
5	CONN RECEPT 4POS 3MM SINGLE ROW (Molex: 0436450400)	WM1847-ND
10	CONN SOCKET 20-24AWG GOLD (Molex: 0462350001)	WM7082CT-ND