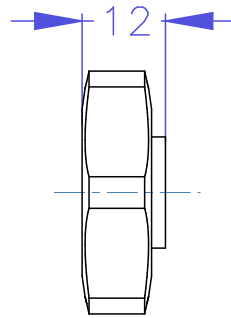
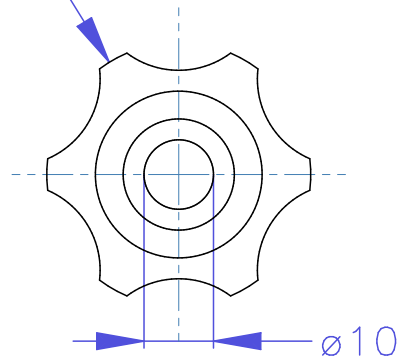


R19



Revision	Part #	Description	
	<b>0353-97-59</b>	Press-fit screw head M6	
Material	Plastic	Serial No.	
Finish	Black	Assembly No.	
Weight(g)	7.8	Date	06/10/2012
Surface		Scale	1:1
Copyright (c) Elphel, Inc. Licensed under CERN OHL v.1.1 or later - see <a href="http://ohwr.org/cernohl">http://ohwr.org/cernohl</a>		Notes McMaster p/n 91175A710	
<small>Permission is also granted to copy, distribute and/or modify this document under the terms of the GNU Free Documentation License, Version 1.3 or any later version published by the Free Software Foundation; with no Invariant Sections, no Front-Cover Texts, and no Back-Cover Texts. A copy of the license is included in the section entitled "GNU Free Documentation License".</small>			