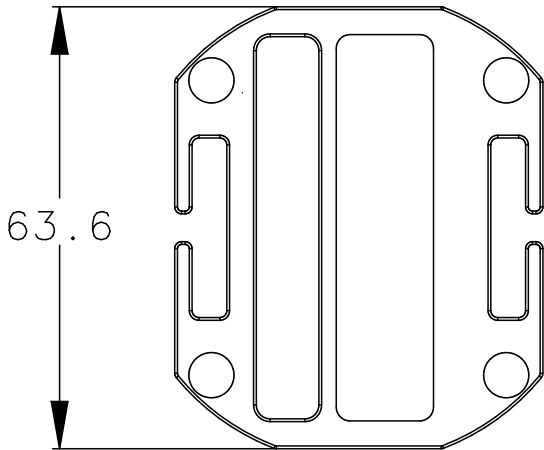
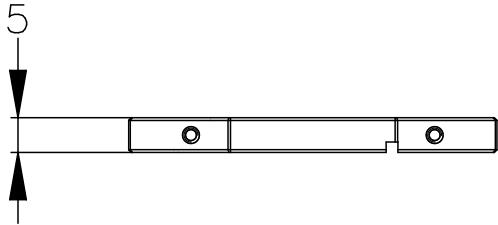
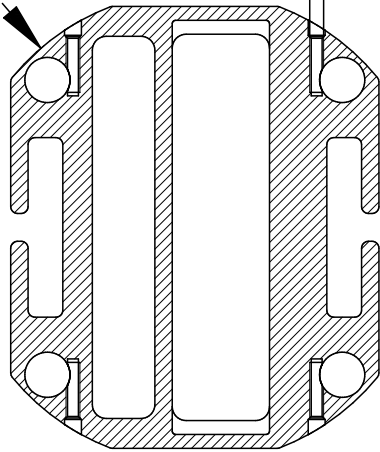


R34 M2 4 HOLES



Revision	Part #	Description		
	<b>0353-19-746</b>	Switch mount bracket - 4 ports		
Material	Aluminum 6061	Serial No.		
Finish	Chromate Conversion	Assembly No.		
Weight(g)	18.2	Date	04/18/2013	Scale <b>1:1</b>
Surface		Notes		
Copyright (c) 2013 Elphel, Inc. Licensed under CERN OHL v.1.1 or later - see <a href="http://ohwr.org/cernohl">http://ohwr.org/cernohl</a>		Permission is also granted to copy, distribute and/or modify this document under the terms of the GNU Free Documentation License, Version 1.3 or any later version published by the Free Software Foundation; with no Invariant Sections, no Front-Cover Texts, and no Back-Cover Texts. A copy of the license is included in the section entitled "GNU Free Documentation License".		