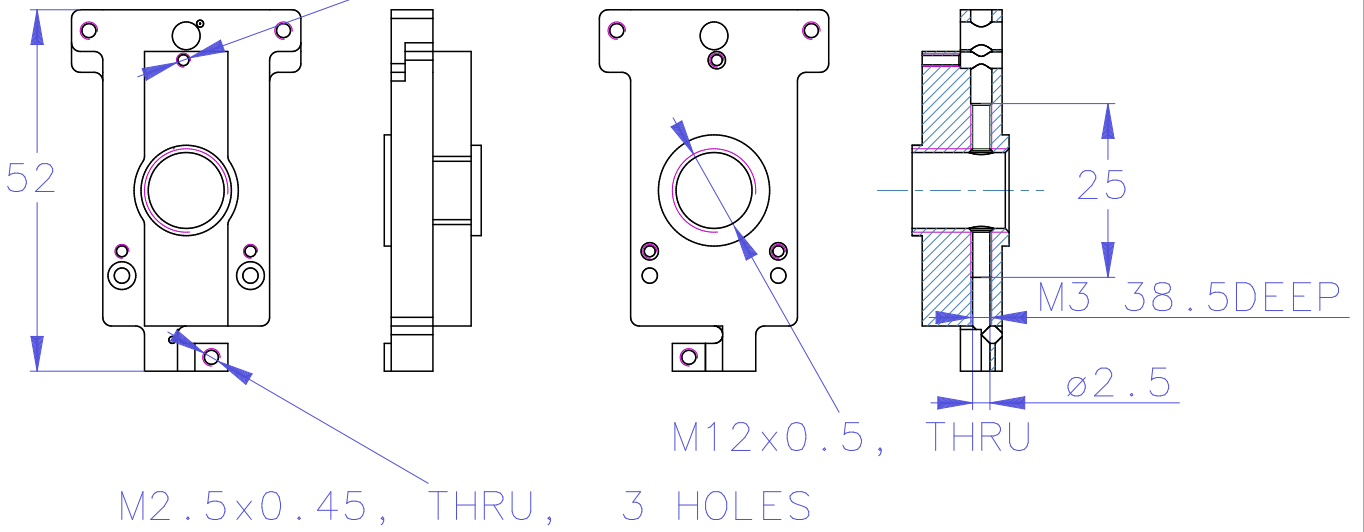


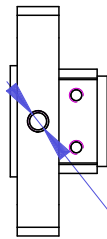
M2x0.4, 6MM DEEP, 4 HOLES

M2x0.4, THRU, 3 HOLES



M2.5x0.45, THRU, 3 HOLES

M12x0.5, THRU



M2.5x0.45 THRU

Part #	0353-19-24	Description	
		Sensor Focus/Tilt Adjustment Module, Base	
Material	Aluminum 7075-T6	Serial No.	
Finish	Black Anodize	Assembly No.	
Weight		Date	
Surface		Notes	
<small>Copyright (c) 2009 Elphel, Inc. Permission is granted to copy, distribute and/or modify this document under the terms of the GNU Free Documentation License, Version 1.3 or any later version published by the Free Software Foundation; with no Invariant Sections, no Front-Cover Texts, and no Back-Cover Texts. A copy of the license is included in the section entitled "GNU Free Documentation License".</small>			