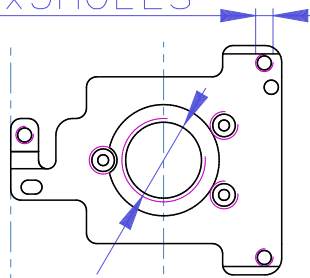


M2.5x0.45 THRU x3HOLES

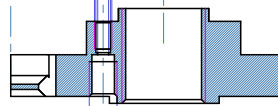


M12x0.5 THRU

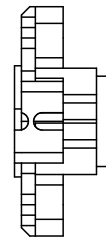
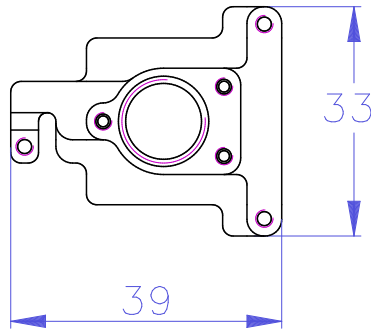
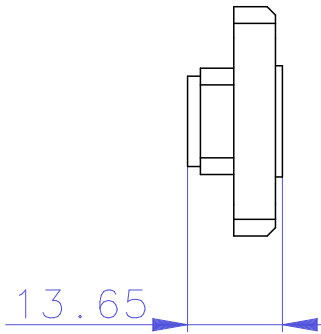
∅1.56 x3 HOLES

∅2.1 x3 HOLES

M2.5 LEFT x3 HOLES



M4x0.7 x3HOLES



Part #	0353-19-42		Description		SFE Module, Base
Material	Aluminum 6061-T6		Serial No.		
Finish	Black Anodize		Assembly No.		
Weight(g)	11.2		Date		
Surface			Notes		
Copyright (c) 2011 Elphel, Inc. Permission is granted to copy, distribute and/or modify this document under the terms of the GNU Free Documentation License, Version 1.3 or any later version published by the Free Software Foundation; with no Invariant Sections, no Front-Cover Texts, and no Back-Cover Texts. A copy of the license is included in the section entitled "GNU Free Documentation License".			Drill 3xDIA2.1 holes after M2.5 left threads		