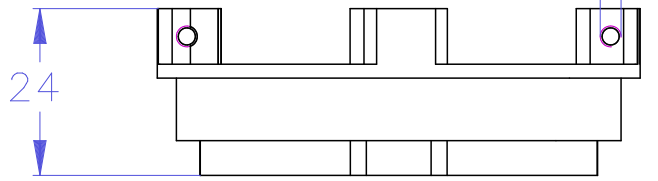
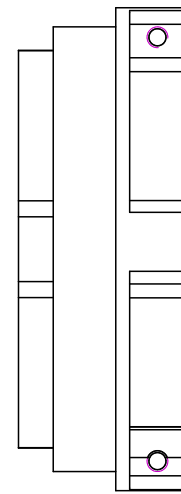
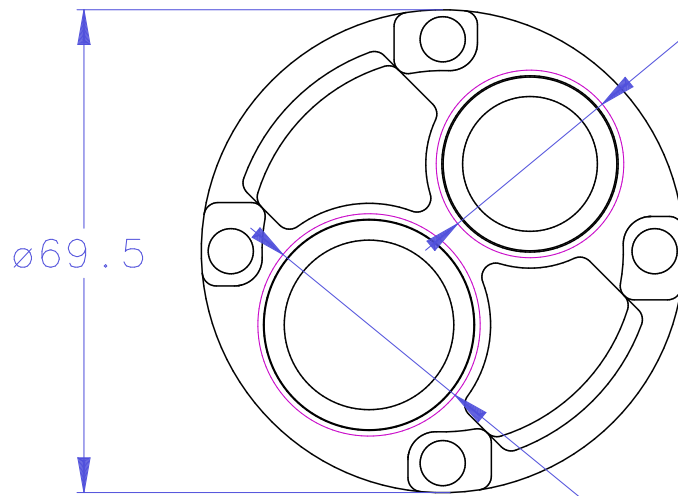


M3x0.5 THRU x4 HOLES



M27x1.5 6MM DEEP



M32x1.5 6MM DEEP

Part #		0353-19-81		Description		Tube body bottom	
Material	Aluminum 6061			Serial No.			
Finish	Chromate Conversion			Assembly No.			
Weight(g)	58			Date			
Surface				Notes			
Copyright (c) 2011 Elphel, Inc. Permission is granted to copy, distribute and/or modify this document under the terms of the GNU Free Documentation License, Version 1.3 or any later version published by the Free Software Foundation; with no Invariant Sections, no Front-Cover Texts, and no Back-Cover Texts. A copy of the license is included in the section entitled "GNU Free Documentation License".							