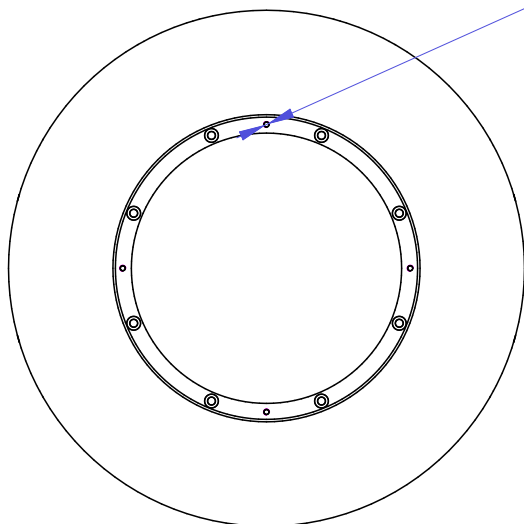


M2.5X0.45 8MM DEEP, 4 HOLES



- 0353-12-380 1 Shade top
- 0353-12-380 1 Shade outer shell
- 0353-12-380 1
- 0353-12-380 8 Shade fin

- Aluminum 6061
- Aluminum 6061
- Aluminum 6061
- Aluminum 6061 T6

Part #	<b>0353-12-38</b>		Description	
			Lens shade	
Material	Aluminum 6061		Serial No.	
Finish	Black Anodize		Assembly No.	
Weight			Date	
Surface				
<small>Copyright (c) 2010Ephel, Inc.          Permission is granted to copy, distribute and/or modify this document under the terms of the GNU Free Documentation License, Version 1.3 or any later version published by the Free Software Foundation; with no Invariant Sections, no Front-Cover Texts, and no Back-Cover Texts. A copy of the license is included in the section entitled "GNU Free Documentation License".</small>			Notes	