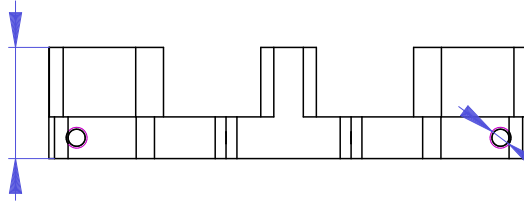
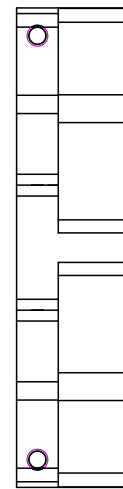
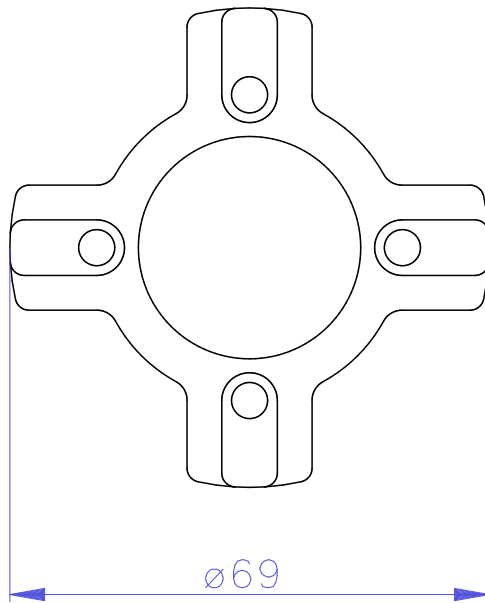


16



M3x0.5 THRU x4 HOLES



Part #	0353-19-80		Description	
			Rail support, top	
Material	Aluminum 6061		Serial No.	
Finish	Chromate Conversion		Assembly No.	
Weight(g)	29.7		Date	
Surface			Notes	
Copyright (c) 2011 Elphel, Inc. Permission is granted to copy, distribute and/or modify this document under the terms of the GNU Free Documentation License, Version 1.3 or any later version published by the Free Software Foundation; with no Invariant Sections, no Front-Cover Texts, and no Back-Cover Texts. A copy of the license is included in the section entitled "GNU Free Documentation License".				