



Elphel Inc.

1405 W. 2200 S. Suite 205 West Valley City, Utah 84119 USA

Email:

info@elphel.com

Web:

www.elphel.com

Tollfree:

(888)-3-ELPHEL

Phone:

(801)7835555

Fax:

(801)8128267

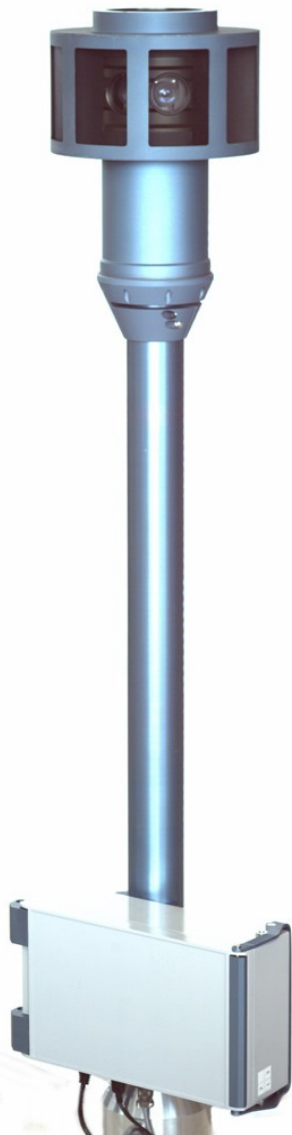
Elphel Eysis

highly customizable 9 Camera 360° Panoramic Imaging System

Introduction

The *Elphel Eysis* Panoramic Imaging System is powered by 100% free software and open hardware. We actively pursue the users freedom to use, modify and share our hard- and software for any purpose with the GNU GPL. All documentation is also available under the GNU FDL.

Technical Specs



- 8 Color 5 Mpix CMOS sensors in array
- 1 Color 5 Mpix CMOS sensor pointing upwards
- Resolution - 38MPix (45MPix before stitching)
- Up to 5 FPS at full resolution
- Up to 11 hours of recording at full resolution / max frame-rate
- 100% free software and open hardware
- Web-based GUI
- GPS powered geo-tagging
- Total power consumption - 50W
- Precise image capture synchronization
- RAW or compressed image formats
- 3 swappable 2.5" SSDs
- 9 High Resolution Lenses
- Very small parallax - distance between entrance pupils: 29.5 mm

List Price: \$30,000.00 USD*

* GPL Discounts available



Elphel Inc.

1405 W. 2200 S. Suite 205 West Valley City, Utah 84119 USA

Email:

info@elphel.com

Web:

www.elphel.com

Tollfree:

(888)-3-ELPHEL

Phone:

(801)7835555

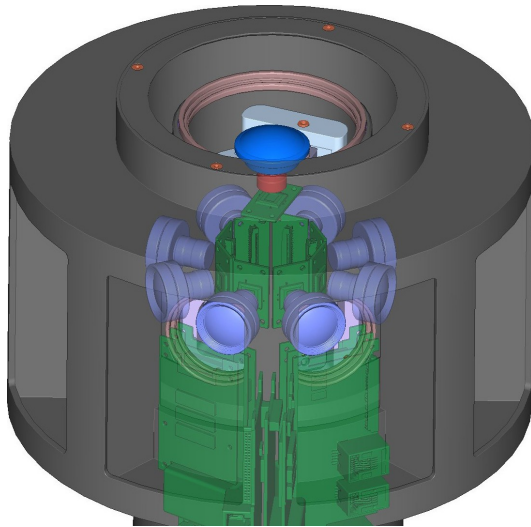
Fax:

(801)8128267

Elphel Eysis

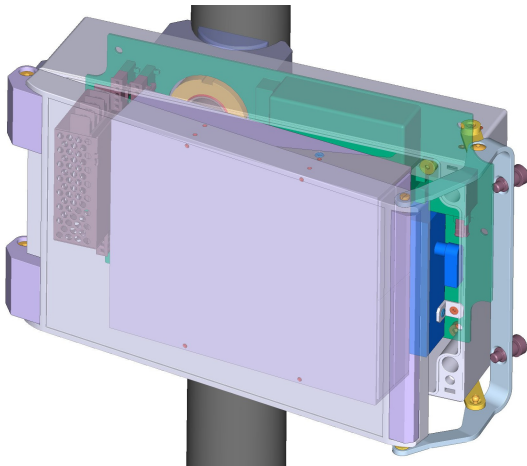
highly customizable 9 Camera 360° Panoramic Imaging System

Details



Camera Head

- Weatherproof
- 9 sensor frontends
- 3 processor boards
- High Resolution Lenses
- Fisheye lens for top sensor
- Dimensions - 210 x 210 x 332 mm



Camera Pole

- Aluminum pipe - customizable length
- 60 mm diameter

Data Storage

- Weatherproof (IP68 connectors)
- 3x SSD (2.5") swappable
- power supply with 110/230V AC
- Gigabit Ethernet Switch
- USB connector (IP68) for GPS receiver
- Dimensions - 280 x 120 x 170 mm

We are accepting orders.

