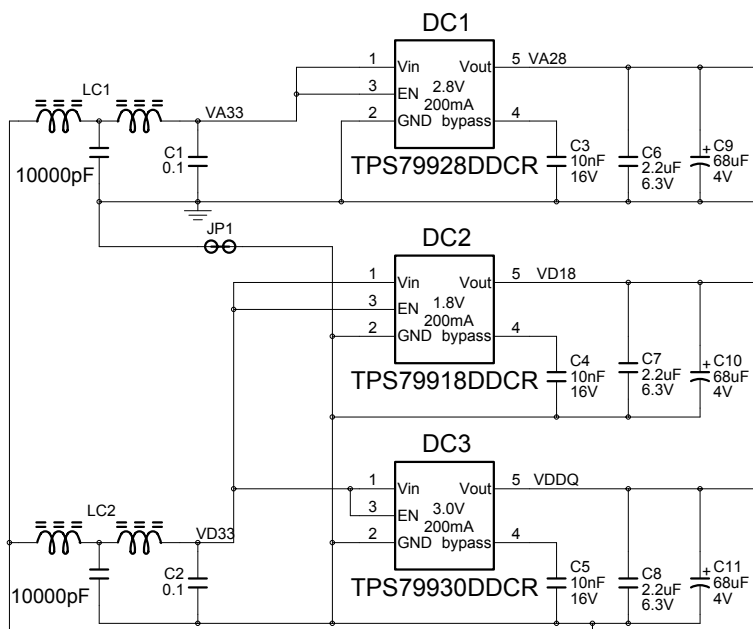
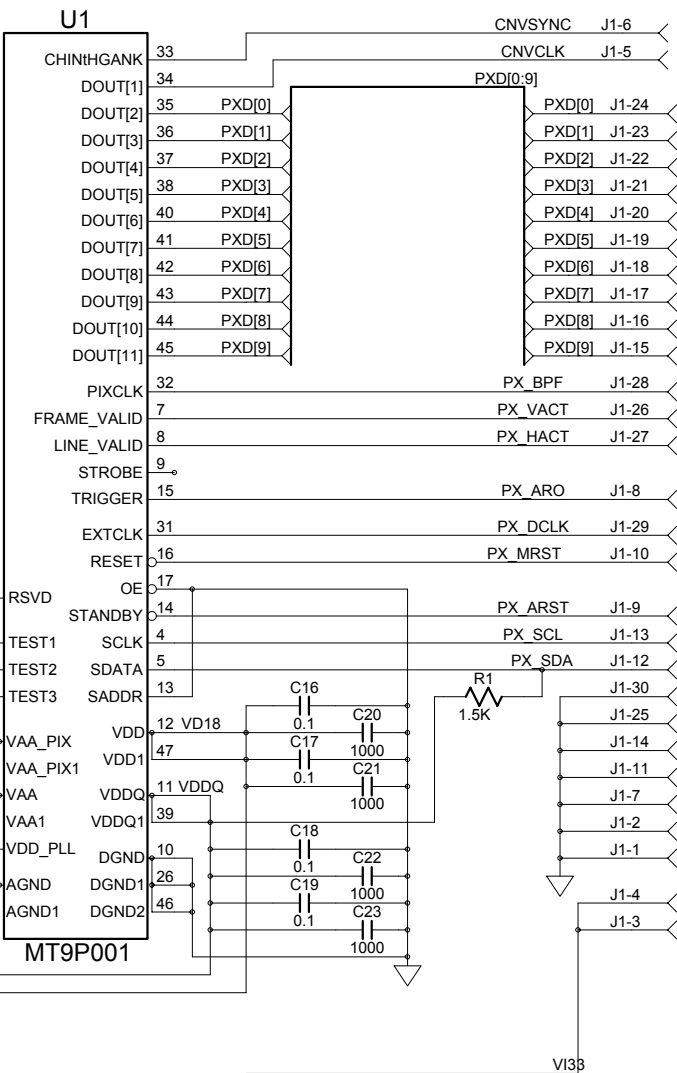
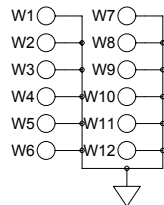
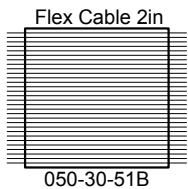


Copyright (c) 2006 Elphel, Inc.
 Permission is granted to copy, distribute and/or modify this document under the terms of the GNU Free Documentation License, Version 1.2 or any later version published by the Free Software Foundation; with no Invariant Sections, no Front-Cover Texts, and no Back-Cover Texts. A copy of the license is included in the section entitled "GNU Free Documentation License".



For 353 camera replace DC3 with TPS79925DDCR (2.5V)



MH1 MH2 MH3 MH4

Model 333
 Sensor MI-1300 Brd

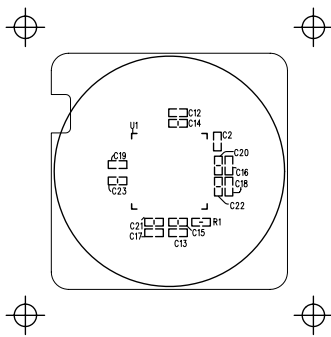
Elphel, Inc
 http://www.elphel.com
 1 OF 1
 DESIGNED Andrey Filippov
 DRAWN Andrey Filippov
 DATE 06/02/2006
 PRINTED 7/14/2006 AT 2:04:56 PM

NEXT ASSY
 USED QTY 1
 FILE 10338A 10338
 REV A ECN #
 DATE 07/14/2006

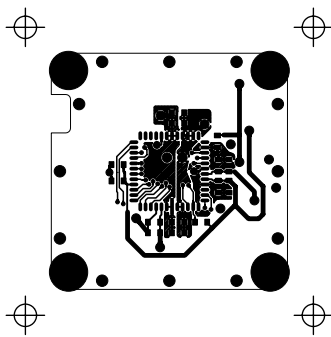
1D20338

SUB-ASSEMBLY													
USAGE	#		NO.	4A20338	RELEASE DATE	07/14/06	P/L	REV.	REV.	Units to	Total	Cost per	
333	1	TITLE		Model 333 Sensor MI-1300 Brd PCB Assembly 10338	JOB#	N/A	6/2/2006	A	7/14/2006	1	\$71.20	\$71.20	
# TO	MFGR			1	WORK ORDER #	N/A							
NEXT	ASSY			4A-?????	NON STANDARD								
NOTATIONS													
DESIGNATOR	ITEM	QTY	EXT	STK	PART	MANUFAC	VENDOR	PURCH	UNIT	NEW			
NUMBER	#	REQ	QTY	CHK	DESCRIPTION	#	TURER	VENDOR	PART #	QTY	PRICE	TOTAL	STOCK
Related Documents													
	0.5	1	1		Schematic 10338a (10338), Model 333	1D20338 Rev.A	Designed by Andrey Filippov						
	20	1	1		Fabrication (10338), Model 333	4F20338 Rev.A							
	21	1	1		Artwork (10338), Model 333	4G20338 Rev.A							
Integrated Circuits													
U1	40	1	1		5 Megapixel (2592x19545) 1/2.5" CMOS Image Sensor, 2.8V, MICRONILCC-48-10	MT9P001	Micron	Edge Electronics		1	45	45	0
Power Supply Modules													
DC2	41	1	1		LDO regulator, 1.8V, 200mA, TSOT-23-5	TPS79918DDCR	Texas Instruments	Digi-Key	296-17778-1-ND	1	0.87	0.87	0
DC1	42	1	1		LDO regulator, 2.8V, 200mA, TSOT-23-5	TPS79928DDCR	Texas Instruments	Digi-Key	296-17781-1-ND	1	0.87	0.87	0
DC3	43	1	1		LDO regulator, 3V, 200mA, TSOT-23-5	TPS79930DDCR	Texas Instruments	Digi-Key	296-17782-1-ND	1	0.93	0.93	0
Resistors													
R1	44	1	1		Resistor, 1.5KΩ, SMD 0603, marked as	ERJ-3GEYJ152V	Panasonic	Digi-Key	P1.5KGCT-ND	10	0.08	0.8	9
Capacitors													
C3-C5	45	3	3		Capacitor, Film, 10nF, 16V, ±2%, C-0805	ECH-U1C103GX5	Panasonic	Digi-Key		10	0.375	3.75	7
C9-C11	46	3	3		Low ESR Tantalum Chip Capacitor with Polymer Electrode, 68µF, 4V, SMD B	T520B686M004A S	Kemet	Digi-Key	399-3060-1-ND	3	1.1	3.3	0
C6-C8	47	3	3		Capacitor, Ceramic Chip, 2.2µF, 6.3V, C- 0603	ECJ-1VB0J225K	Panasonic	Digi-Key	PCC2273CT-ND	10	0.117	1.17	7
C1-C2, C12-C13, C16-C19	48	8	8		Capacitor, Ceramic Chip, 0.1µF, 25V, C- 0603D	06032F104Z8B20 D	Phycomp	Digi-Key	311-1087-1-ND	10	0.064	0.64	2
C14-C15, C20- C23	49	6	6		Capacitor, Ceramic Chip, 1000pF, C-0603	06032R102K9B20 D	Phycomp	Digi-Key	311-1080-1-ND	10	0.055	0.55	4
Inductors and LC filters													
LC1-LC2	50	2	2		Chip EMI Filter, 10000PF, LC4518	EXC-CET103U	Panasonic	Digi-Key	P9832CT-ND	10	0.685	6.85	8
Connectors													

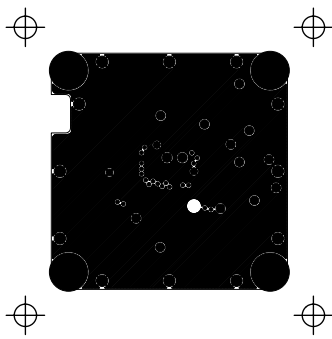
DESIGNATOR	ITEM	QTY	EXT	STK		PART	MANUFAC		VENDOR	PURCH	UNIT		NEW
NUMBER	#	REQ	QTY	CHK	DESCRIPTION	#	TURER	VENDOR	PART #	QTY	PRICE	TOTAL	STOCK
-----	----	---	----	---	-----	-----	-----	-----	-----	-----	----	----	----
J1	51	1	1		0.5 mm-Pitch Slide-Lock FPC Connector, top contact, 30 pos., FH12A-30S-0.5SH55	FH12A-30S- 0.5SH55	Hirose	Digi-Key	HFK130CT-ND	1	2.64	2.64	0
					Sockets and Matching Parts								
XJ1	52	1	1		Flex Cable, 0.5 mm pitch, 30 conductors, 2 in long, 050-30-51B	050-30-51B	Parlex	Digi-Key	HFF-30U-02-ND	1	3.83	3.83	0



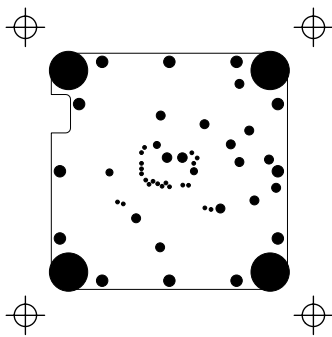
SILKSCREEN TOP			



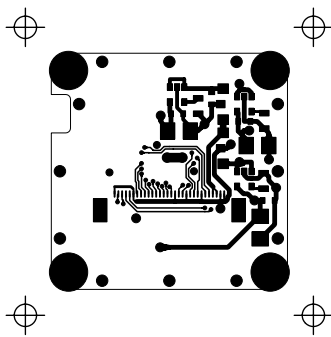
TOP SIDE (LAYER-1)			
	COMPONENT COPPER TOP (L-18)		



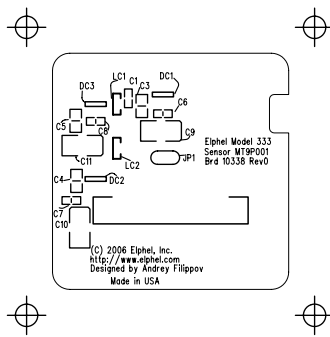
	GND PLANE (LAYER-2)		



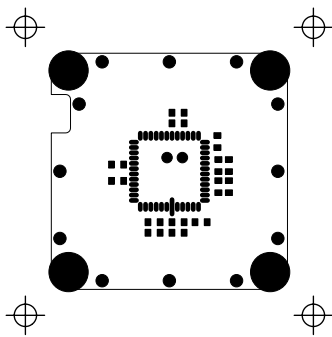
		PWR PLANE (LAYER-3)	



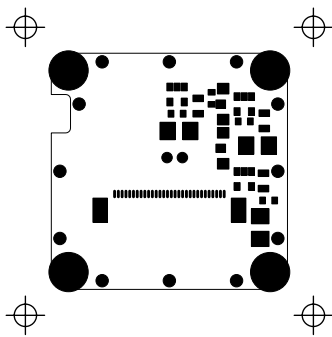
			BOTTOM SIDE (LAYER-4)
			COMPONENT COPPER BOTTOM (L-19)



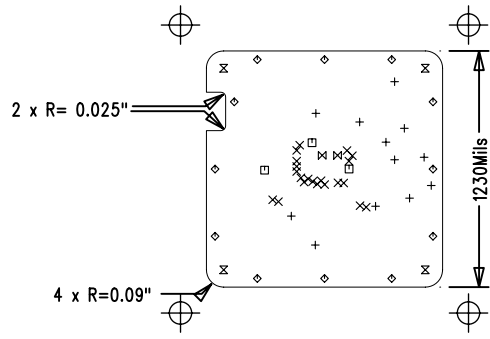
SILKSCREEN BOTTOM			



	SOLDER MASK TOP		



		SOLDER MASK BOTTOM	



DRILL DRAWING			

SIZE	QTY	SYM	PLTD
37	12	+	PLTD
10	21	×	PLTD
25	3	□	PLTD
35	12	◇	PLTD
120	4	⊗	NPLTD
32	2	⊗	PLTD