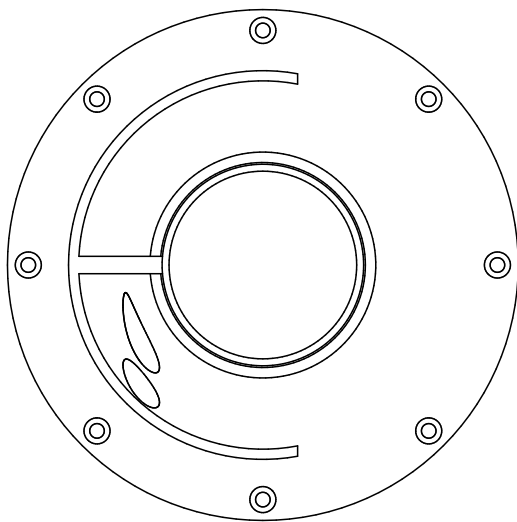
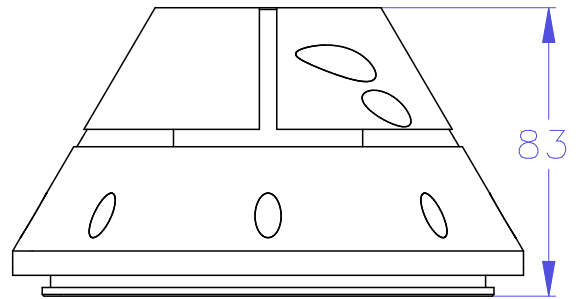
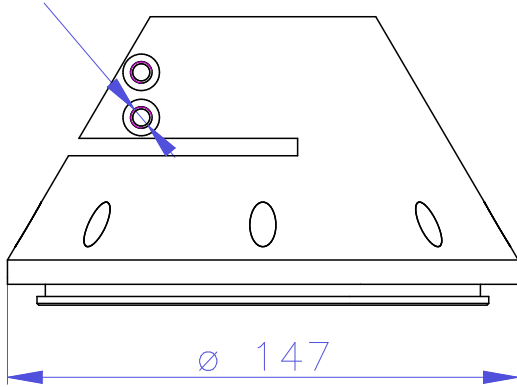


M6x1 10MM DEEP, 2 HOLES



Part #		0353-10-14		Description		Tube Mount	
Material		Aluminum		Serial No.			
Finish		Black Anodize		Assembly No.			
Weight				Date			
Surface				Notes			
<small>Copyright (c) 2009 Elphel, Inc.          Permission is granted to copy, distribute and/or modify this document under the terms of the GNU Free Documentation License, Version 1.3 or any later version published by the Free Software Foundation; with no Invariant Sections, no Front-Cover Texts, and no Back-Cover Texts. A copy of the license is included in the section entitled "GNU Free Documentation License".</small>				<b>For pipe machined of          2 SCH 40 (2.375"OD X .154"W)</b>			