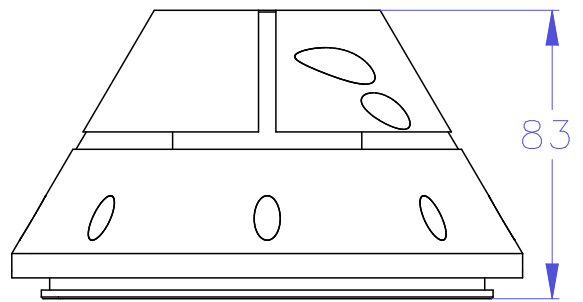
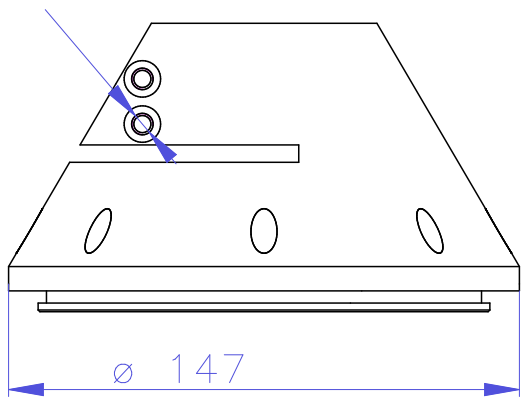


M2.5x0.45 6MM DEEP, 3 HOLES

M6x1 10MM DEEP, 2 HOLES



Part #	0353-10-14		Description	
			Tube Mount	
Material	Aluminum		Serial No.	
Finish	Black Anodize		Assembly No.	
Weight			Date	
Surface			Notes	
<small>Copyright (c) 2009 Elphel, Inc.          Permission is granted to copy, distribute and/or modify this document under the terms of the GNU Free Documentation License, Version 1.3 or any later version published by the Free Software Foundation; with no Invariant Sections, no Front-Cover Texts, and no Back-Cover Texts. A copy of the license is included in the section entitled "GNU Free Documentation License".</small>			For pipe machined of 2 SCH 40 (2.375"OD X .154"W)	