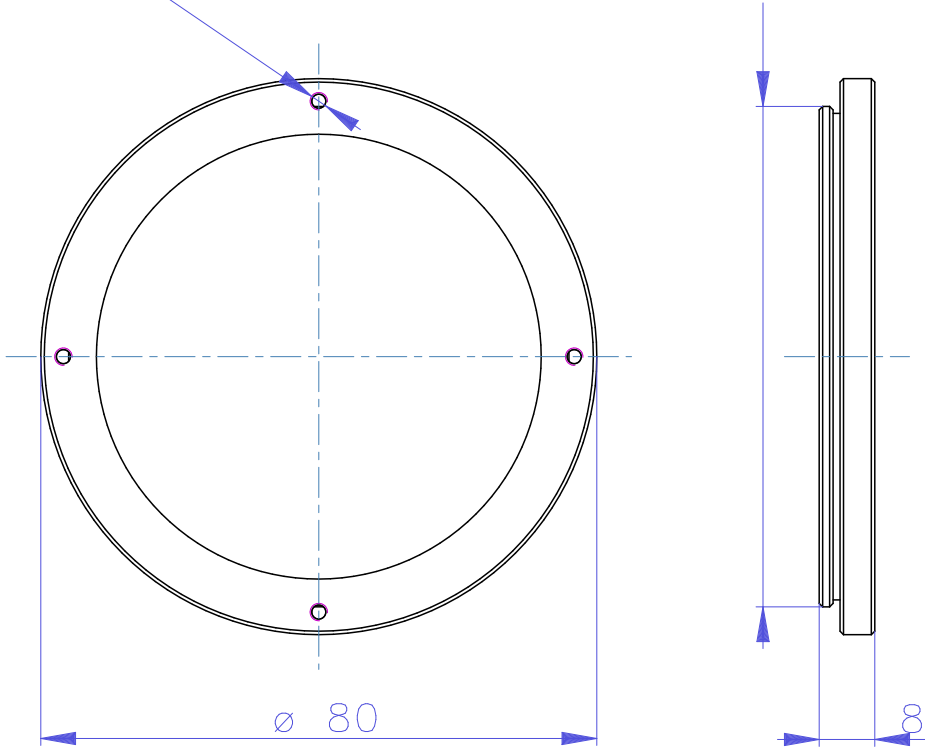


M2.5x0.45 THRU 4 HOLES

M72x0.75



Part #	<b>0353-40-11</b>		Description	<b>Filter insertion tool, M72x0.75</b>	
Material	Aluminum 6061		Serial No.		
Finish			Assembly No.		
Weight			Date		
Surface			Notes		
Copyright (c) 2010 Elphel, Inc. Permission is granted to copy, distribute and/or modify this document under the terms of the GNU Free Documentation License, Version 1.3 or any later version published by the Free Software Foundation; with no Invariant Sections, no Front-Cover Texts, and no Back-Cover Texts. A copy of the license is included in the section entitled "GNU Free Documentation License".					