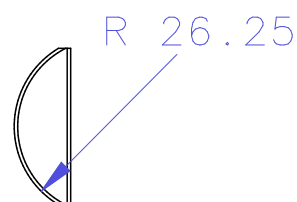
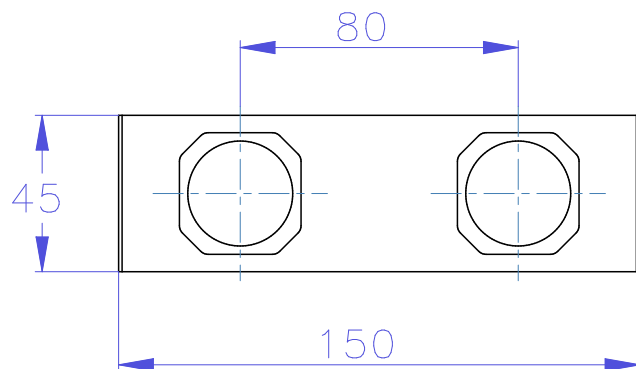
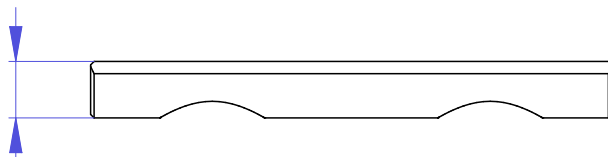


16.25



Part #	0353-19-40	Description		Plate, mounting
Material	Aluminum 6061	Serial No.		
Finish		Assembly No.		
Weight		Date		
Surface		Notes		
Copyright (c) 2010Elphel, Inc. Permission is granted to copy, distribute and/or modify this document under the terms of the GNU Free Documentation License, Version 1.3 or any later version published by the Free Software Foundation; with no Invariant Sections, no Front-Cover Texts, and no Back-Cover Texts. A copy of the license is included in the section entitled "GNU Free Documentation License".				