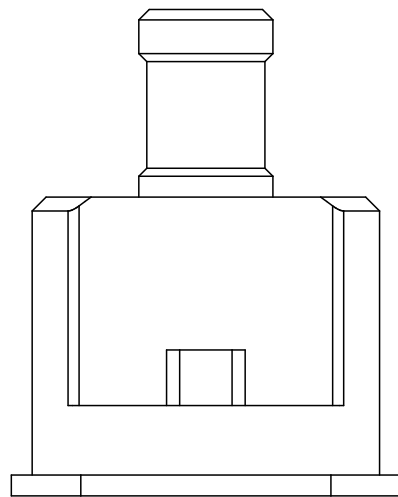
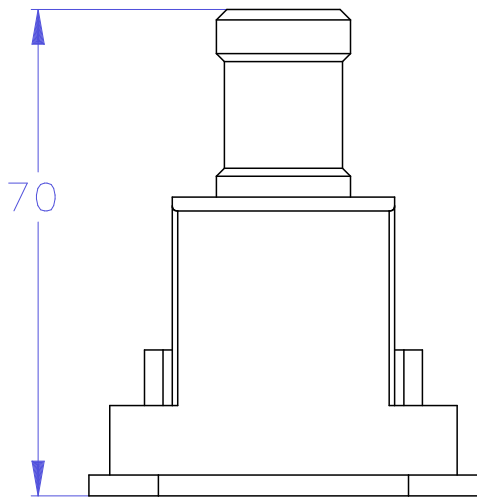


M2.5x0.45 6MM DEEP x3 HOLES



| | | | | | | | |
|--|---------------|------------|--|--------------|--|--------------------------|--|
| Part # | | 0353-13-19 | | Description | | Connector Housing, eSATA | |
| Material | Aluminum 6061 | | | Serial No. | | | |
| Finish | Blue Anodize | | | Assembly No. | | | |
| Weight(g) | 75 | | | Date | | | |
| Surface | | | | Notes | | | |
| Copyright (c) 2011 Elphel, Inc. Permission is granted to copy, distribute and/or modify this document under the terms of the GNU Free Documentation License, Version 1.3 or any later version published by the Free Software Foundation; with no Invariant Sections, no Front-Cover Texts, and no Back-Cover Texts. A copy of the license is included in the section entitled "GNU Free Documentation License". | | | | | | | |